



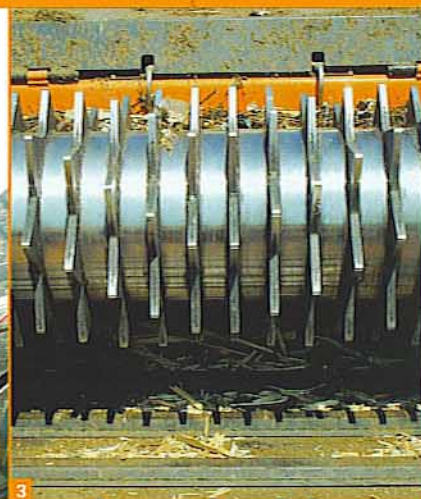
**Doppstadt**

AK 600 MULTI III

Shredder



**Doppstadt**



## >>> A powerful shredder...

...for almost all kinds of shredding problems, with a very high throughput rate and a patented load-sensing material feeding system. Thanks to the heavy grating mass, the flail drum with 1000 rpm and the free-swinging flail holders with replaceable flail tips, this shredder is unrivaled. The quickly replaceable shredding system is unique and the final sizing basket can be changed in less than 15 minutes. The shredder is equipped with a 6 m feeding hopper and a 7 m discharge conveyor with overband magnet. The electronically controlled motor is extremely silent and the fuel consumption is low. The high torque makes it particularly cost-efficient.

- >>> 1 Mobile due to the semitrailer and maintenance-friendly thanks to large side doors and central lubrication.
- >>> 2 A replaceable fine shredding basket closes the shredding chamber at the rear; the mesh size (40-280 mm) determines the material grain size.
- >>> 3 The load-sensing scraper floor leads the material to be shredded to the heavy roller with oscillating bearing which introduces the material securely into the shredding chamber.
- >>> 4 Short set-up operation time thanks to the hydraulically foldable discharge conveyor (<10 min.).
- >>> 5 The cooler is easily accessible. For self-cleaning, the large fan wheel is reversible. The low speed of the fan wheel keeps down the noise level.
- >>> 6 The free-swinging flail holders of the flail drum (gyrating mass appr. 2,5 t) are provided with easily replaceable flail tips that can be adjusted according to the materials to be shredded (e.g. hard metal, armoured tips).
- >>> 7 Easy machine handling by remote control and hydraulic drive. The machine can be moved by the wheel loader bucket with gripping device and slip-on coupling.

\*1) option





>> Green waste



>> Waste wood

>> Waste wood, wooden pallets...

>> Trunks, roots...

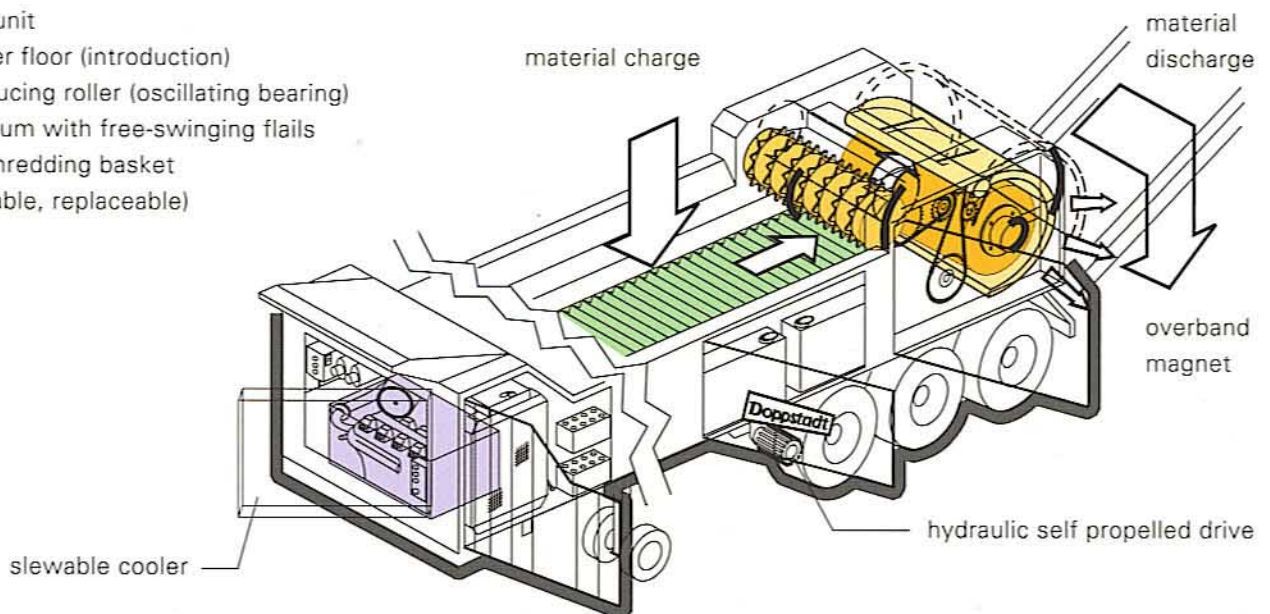
>> Green waste, organic waste...



*One of the most powerful shredding machines for waste wood, wooden pallets, trunks, roots, green waste, organic waste...*

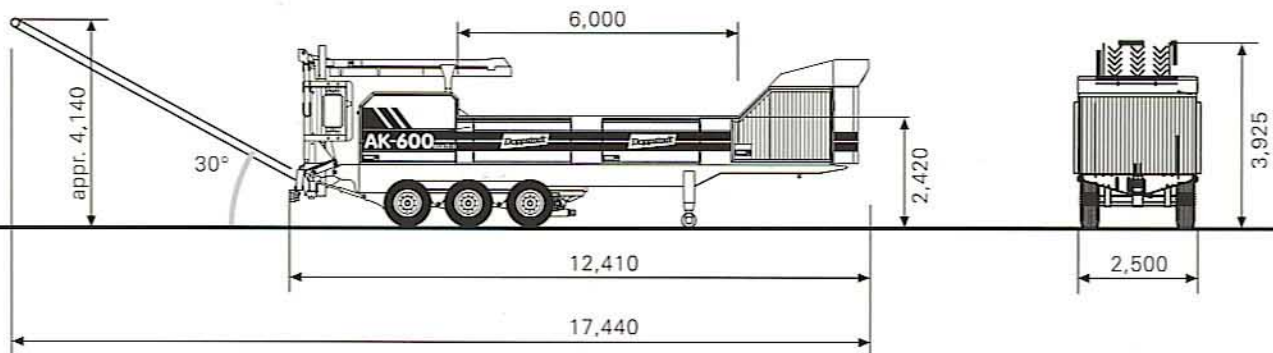
*>> Possibility of optimum combination with other DOPPSTADT-products, e.g. pre-shredder, screen...*

- drive unit
- scraper floor (introduction)
- introducing roller (oscillating bearing)
- flail drum with free-swinging flails
- fine shredding basket (sleivable, replaceable)



# AK 600 MULTI III

## Technical Data (dimensions in mm)



<b>Maximum total weight</b>	30,000 kg
<b>Description</b>	Mobile shredder (high-speed shredding) on a 3-axle semitrailer for 80 km/h speed according to StVZO, with ABS
<b>Motor</b>	Diesel motor, DaimlerChrysler OM 502 LA
<b>Power</b>	448 kW (609 hp) at 1,900 rpm rated speed
<b>Max. Torque</b>	2,700 Nm at 1,200 rpm
<b>Exhaust level</b>	EUROMOT 2
<b>Fuel tank</b>	900 l
<b>Flail drum</b>	
<b>Width</b>	1,750 mm
<b>Diametre</b>	1,100 mm
<b>Weight (with flails)</b>	appr. 2,500 kg
<b>Speed</b>	915 – 1,085 rpm (depends on the motor speed)
<b>Number of flails</b>	36
<b>Flail weight</b>	appr. 14.5 kg incl. tip
<b>Max. introducing height</b>	650 mm
<b>Discharge conveyor</b>	
<b>Length</b>	7,000 mm
<b>Width</b>	1,500 mm
<b>Belt speed</b>	2.1 m/s
<b>Discharge height</b>	4,140 mm
<b>Standard equipment</b>	Fine shredding basket (choice of mesh sizes 40-280 mm), hard metal flail tips, 16-channel remote control, damping facility, overband magnet, hydraulic drive
<b>Options (*)</b>	Magnetic drum, iron collecting box, additional hydraulic connection

**Doppstadt Calbe GmbH**  
 Barbyer Chaussee 3  
 39240 Calbe/Saale, Germany  
 phone: (+49) 3 92 91 / 55 - 270  
 fax: (+49) 3 92 91 / 55 - 358  
 info@doppstadt.com  
 www.doppstadt.com

May 2003, specifications subject to technical alterations.  
 The specifications are approximate, illustrations and descriptions might include options that are not part of the standard equipment.

**Doppstadt**