



**Doppstadt**

**D W 3 0 6 0 B u f f a l o**

Single-shaft high-torque  
shredder



**Doppstadt**



## >>> The solution of the most difficult shredding problems...

...is easy for the DW 2060 Buffalo with the hydraulically controlled shredding comb. Shredding is carried by a single-shaft. Thanks to various, quickly replaceable tools, the DW 2060 can be adjusted to the different shredding tasks. The efficient mechanic power transmission is carried out by a direct drive by planetary gear. The shredder is extremely mobile thus ensuring a quick and flexible application. The noise level and the fuel consumption of the motor are very low. The motor is a EUROMOT 2 with high torque and extremely economic.

- >> The cooler is equipped with a reversing facility and thus self-cleaning. The low speed keeps down the noise level.
- >> 1/2 Powerful direct drive with electric reversing facility. The motor is easily accessible from 2 sides.
- >> 3/4 Optimum roller teeth tear the material through the hydraulically controlled shredding comb, the comb opens automatically in case of large foreign objects in order to protect the machine and to reduce the tool wear.
- >> 5 The comb elements are secured by wedges, easily accessible from outside and therefore quickly replaceable.
- >> 6/7 Easy operation, exact adjustment and reading of the machine data by multifunction display. The machine can be moved by wheel loader and slip-on coupling. Machine operation at control panel\*.
- >> 8 The machine is ready to work within a few minutes thanks to the hydraulically foldable rear conveyor.

\*) option



# Buffalo Single-shaft high-torque shredder **DW 3060**



Garbage

Green waste, organic waste...



>> bulky and industrial waste

>> bulky and industrial waste...

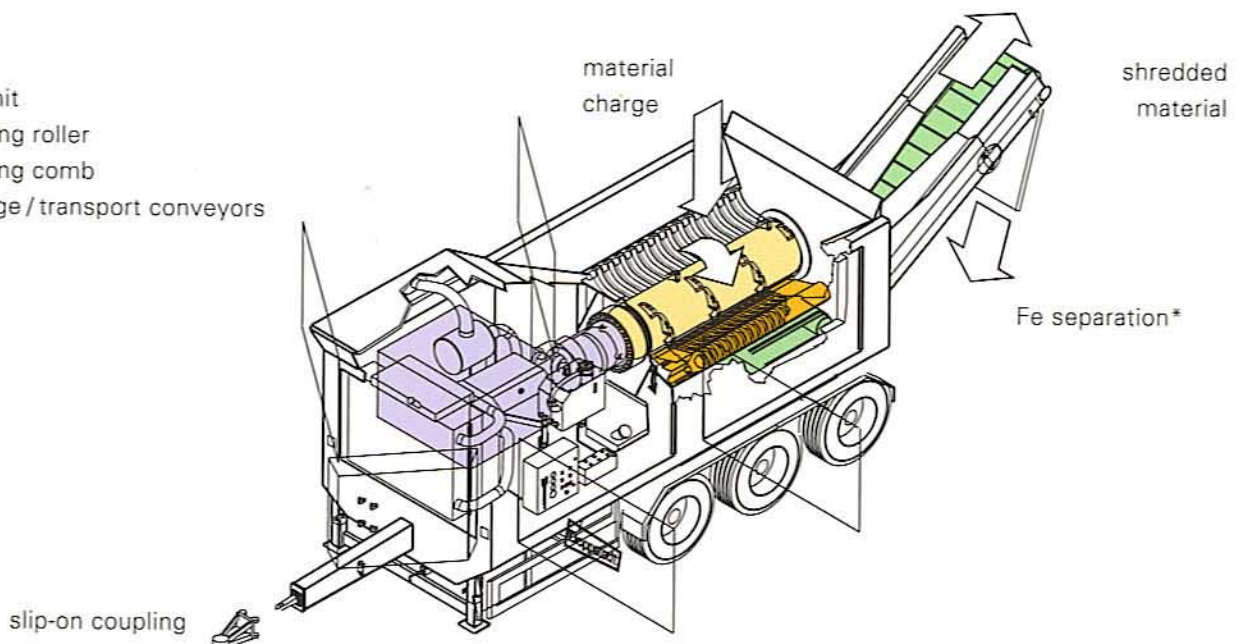
>> Waste wood, pallets...



**Shredding of bulky waste, domestic waste, garbage, green waste, industrial waste, mixed construction waste, organic waste, roots and waste wood.**

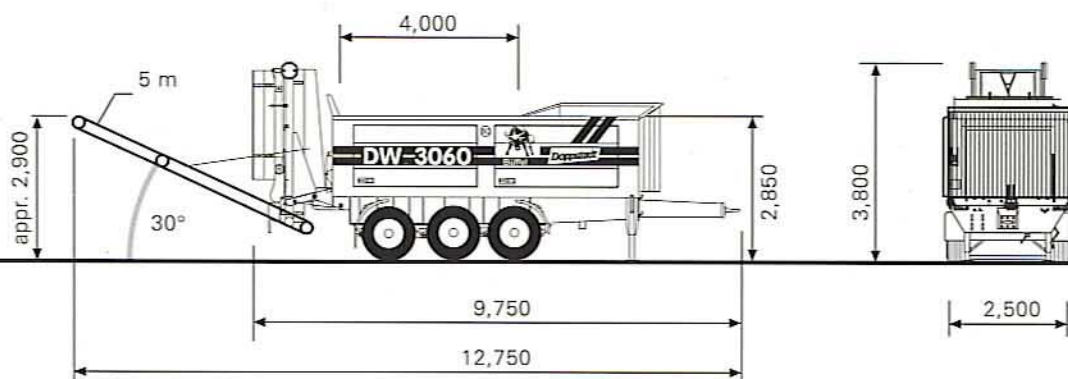
**The DW series of shredders also includes hook-lift solutions, semitrailers, stationary machines and tracked machine. Diesel and electric drives of most different sizes of machines are available.**

- drive unit
- shredding roller
- shredding comb
- discharge / transport conveyors



# DW 3060 Buffalo

## Technical Data (dimensions in mm)



<b>Maximum total weight</b>	22.5 t (basic machine)	
<b>Description</b>	Mobile shredder (single-shaft principle) mounted on central-axle trailer for 80 km/h according to STVZO with ABS	
<b>Motor</b>	DaimlerChrysler	
Type	OM 457 LA	
Rated power	315 kW (430 hp), 1,800 rpm	
Exhaust level	EUROMOT 2	
Fuel tank	2 x 300 l	
<b>Roller</b>		
Length	3,000 mm	
Diameter	600 mm	
Speed	32 rpm	
Tooth width	60 mm	
Tooth number	21 pc.	
<b>Comb</b>		
Length	3,000 mm	
Tooth width	60 mm	
Tooth number	22 pc.	
<b>Discharge conveyors</b>	lower transfer belt	rear belt
Width	1,000 mm	1,200 mm
Length	3,335 mm	5,000 mm
Belt speed	2.2 m/s max.	2.3 m/s max.
<b>Options</b>	Remote control, additional hydraulic connection, overband magnet, magnetic drum, damping facility, comb lengthening, hydraulic drive	

**Doppstadt Calbe GmbH**  
 Barbyer Chaussee 3  
 39240 Calbe/Saale, Germany  
 phone: (+49) 3 92 91 / 55 - 270  
 fax: (+49) 3 92 91 / 55 - 358  
 info@doppstadt.com  
 www.doppstadt.com

May 2003, specifications subject to technical alterations.  
 The specifications are approximate, illustrations and descriptions might include options that are not part of the standard equipment.

**Doppstadt**