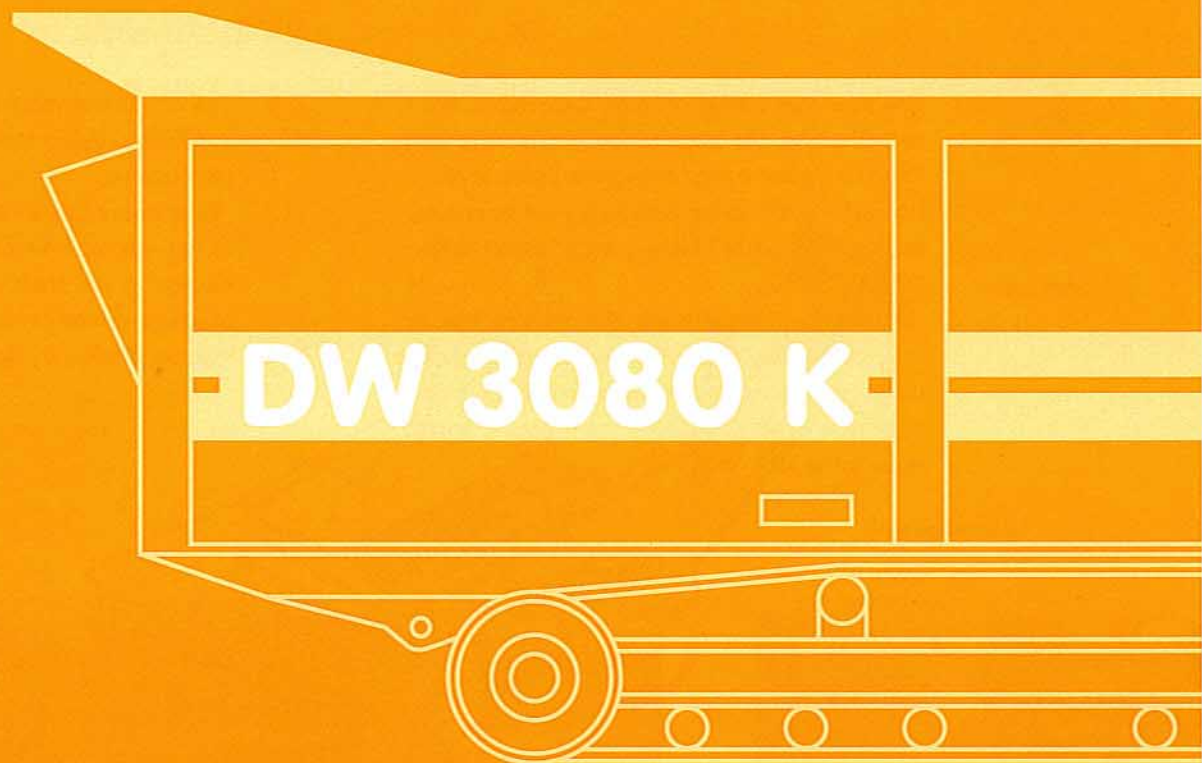




**Doppstadt**

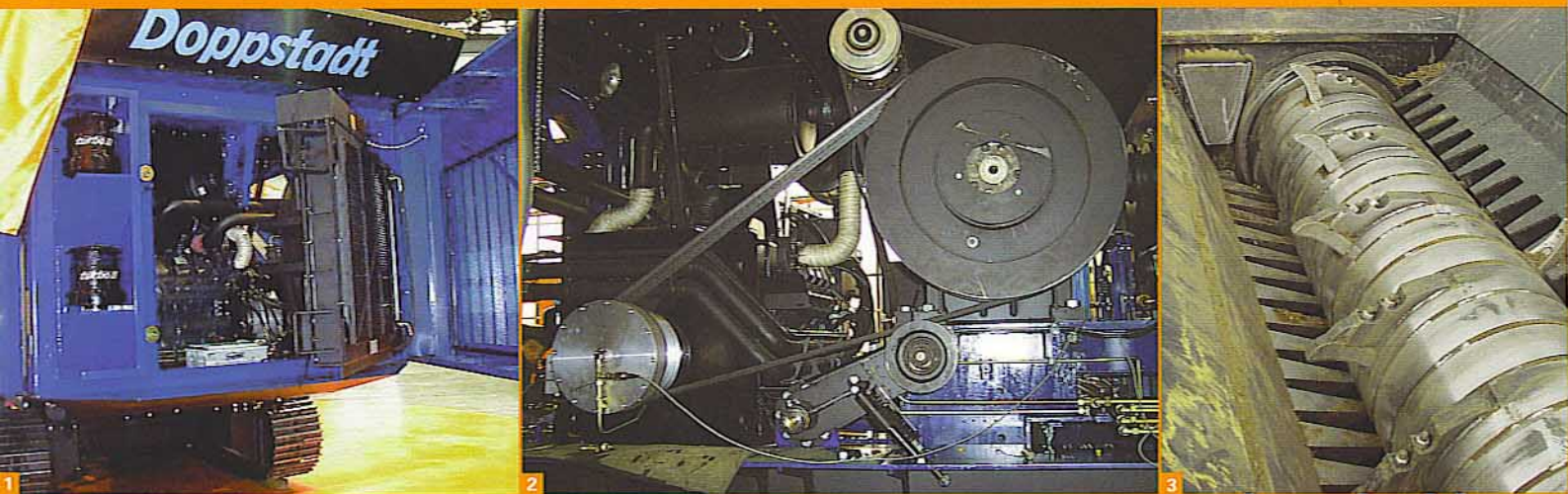
**D W 3 0 8 0 K M a m m u t**

Single-shaft high-torque  
shredder



**DW 3080 K**

**Doppstadt**



» » **The solution of the most difficult shredding problems...**

...is easy for the DW 3080 K Mammut with the hydraulically controlled shredding comb. It accomplishes its tasks by a single-shaft principle. Thanks to various, quickly replaceable tools, the DW 3080 K can be adjusted to the different shredding tasks. The efficient mechanic power transmission is carried out by a direct drive by bevel spur gear. The shredder is extremely mobile thus ensuring a quick and flexible application. The noise level and the fuel consumption of the electronically controlled Daimler-Chrysler motor are very low. The motor is a EUROMOT 1 with high torque and thus extremely economic.



- » 1 The slewable cooler is easily accessible. For self-cleaning, the large fan wheel is reversible. The low speed keeps down the noise level.
- » 2 Powerful direct drive with hydraulic reversing facility. The motor is easily accessible from 3 sides.
- » 3/4 Optimum roller teeth tear the material through the hydraulically controlled shredding comb, the comb opens automatically in case of large foreign objects in order to protect the machine and to reduce the tool wear.
- » 5 The comb elements are secured by wedges, easily accessible from outside and thus quickly replaceable.
- » 6/7 Easy operation, exact adjustment and reading of the machine data by multifunction display. Access to the shaft chamber by large doors. Machine operation by remote control.
- » 8 Iron separation by optional overband magnet.

\*) option





>> shredding of waste wood, pallets, railway sleepers



>> roots

>> green waste, organic waste...

>> industrial, bulky waste...

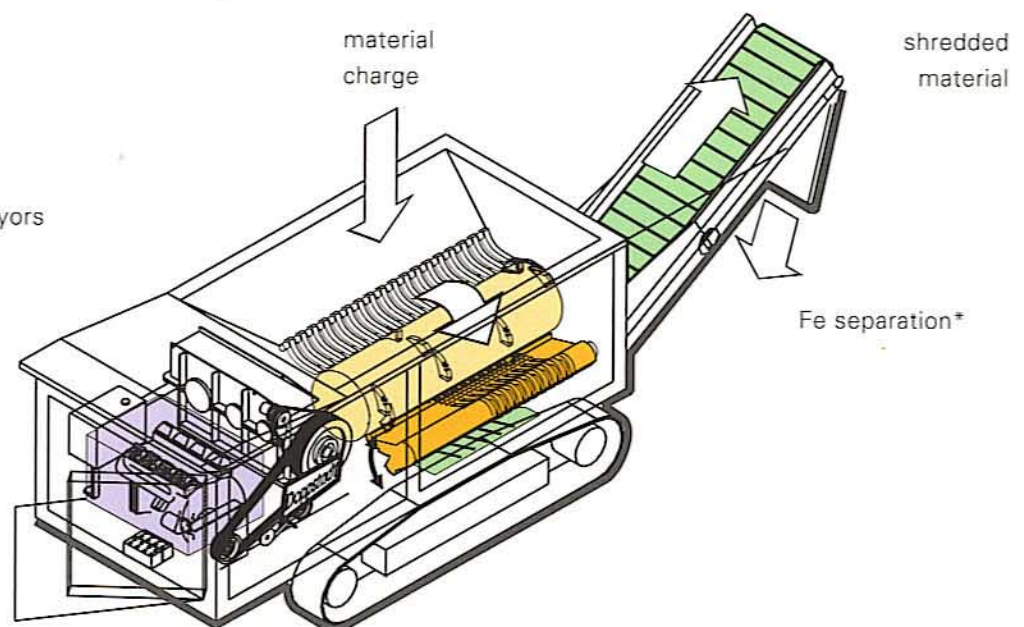
>> waste wood, pallets...



**Shredding of waste wood, roots, green waste, MSW, domestic waste, organic waste, garbage, bulky and industrial waste, mixed construction waste...**

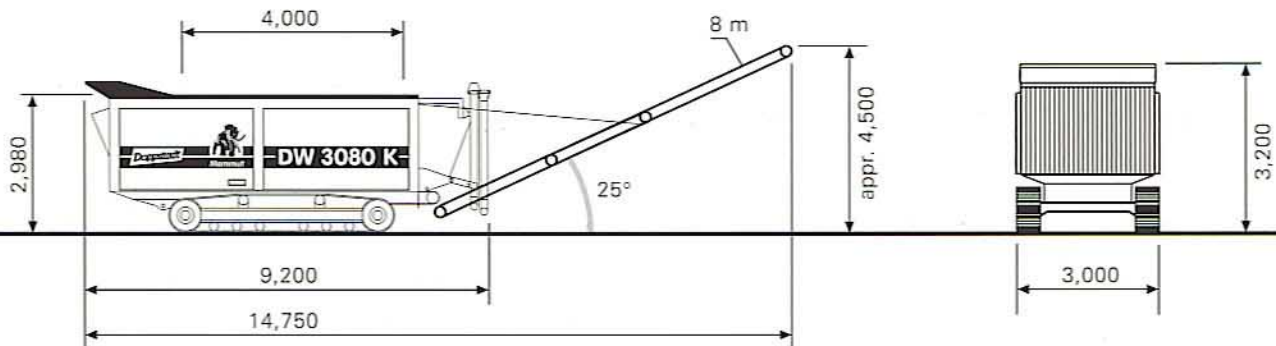
**The DW series of shredders also includes hook-lift solutions, semitrailers, stationary machines and tracked machine. Diesel and electric drives of most different sizes of machines are available.**

- drive unit
- shredding roller
- shredding comb
- discharge/transport conveyors



# DW 3080 K Mammut

## Technical Data (dimensions in mm)



<b>Maximum total weight</b>	appr. 45,500 kg	
<b>Description</b>	Mobile shredder single-shaft principle with shredding comb, self-propelled on track	
<b>Track</b>		
Track width	500 mm each	
Standing area	4,500 x 3,000 mm (length x width)	
<b>Motor</b>	DaimlerChrysler OM 502 LA, V 8 with turbocharger	
Rated power	350 kW (476 hp) bei 1,800 rpm	
Max torque	2,300 Nm at 1,080 rpm	
Exhaust level	EUROMOT 1	
Cubic capacity	15,930 cm <sup>3</sup>	
Fuel tank	2 x 300 l	
<b>Roller</b>		
Length	3,000 mm	
Diametre	800 mm	
Speed	30 rpm	
Tooth width, no.	60 mm, 21 pc.	
<b>Comb</b>		
Length	3,000 mm	
Tooth width, no.	60 mm, 22 pc.	
<b>Discharge conveyors</b>	lower belt	rear belt
Width	1,000 mm	1,200 mm
Length	4,000 mm	5,000 mm (opt. 8,000 mm*)
Belt speed	2.3 m/s max.	1.8 m/s max.
<b>Options (*)</b>	Magnetic drum, damping facility, comb lengthening, overband magnet	

**Doppstadt Calbe GmbH**  
 Barbyer Chaussee 3  
 39240 Calbe/Saale, Germany  
 phone: (+49) 3 92 91 / 55 - 270  
 fax: (+49) 3 92 91 / 55 - 358  
 info@doppstadt.com  
 www.doppstadt.com

May 2003, specifications subject to technical alterations.  
 The specifications are approximate, illustrations and descriptions might include options that are not part of the standard equipment.

**Doppstadt**